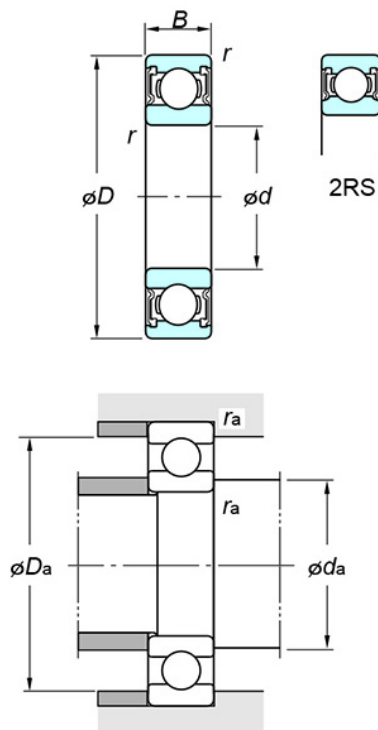




FOR REFERENCE ONLY

Deep groove ball bearings - Single-row - Shielded/sealed type - Contact sealed



## Bearing No. 6003 2RS

### Specifications

(Boundary dimensions ...etc)

d(mm)	17
D(mm)	35
B(mm)	10
r(min.)(mm)	0.3
Basic load ratings : Cr(kN)	7.50
Basic load ratings : C0r(kN)	3.25
Fatigue load limit : Cu(kN)	0.170
factor : f0()	14.4
Limiting speeds(Grease lub.)(min-1)	12000
Limiting speeds(Oil lub.)(min-1)	

### Mounting dimensions

da(min.)(mm)	19
da(max.)(mm)	21
Da(max.)(mm)	33
ra(max.)(mm)	0.3

### Refer.

(Refer.)Mass(kg)	0.039
------------------	-------