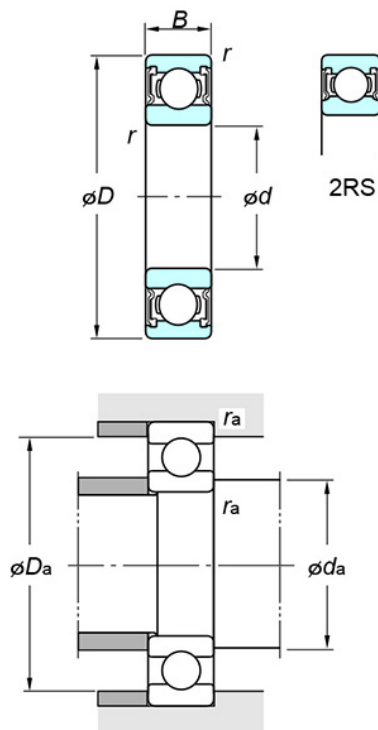




FOR REFERENCE ONLY

Deep groove ball bearings - Single-row - Shielded/sealed type - Contact sealed



Bearing No. 6006 2RS

Specifications

(Boundary dimensions ...etc)

d(mm)	30
D(mm)	55
B(mm)	13
r(min.)(mm)	1
Basic load ratings : Cr(kN)	16.5
Basic load ratings : C0r(kN)	8.25
Fatigue load limit : Cu(kN)	0.530
factor : f0()	14.7
Limiting speeds(Grease lub.)(min-1)	7500
Limiting speeds(Oil lub.)(min-1)	

Mounting dimensions

da(min.)(mm)	35
da(max.)(mm)	36
Da(max.)(mm)	50
ra(max.)(mm)	1

Refer.

(Refer.)Mass(kg)	0.116
------------------	-------