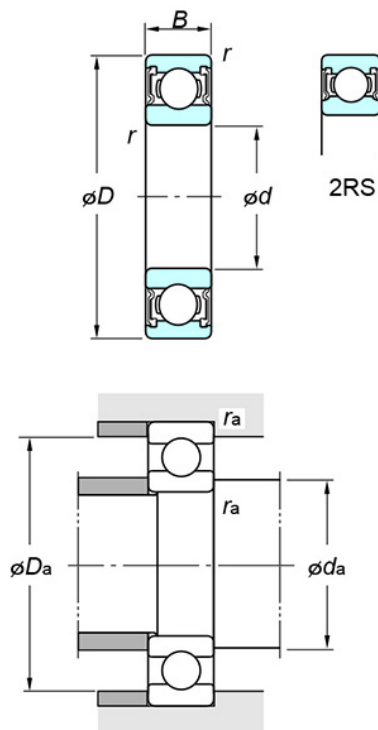




FOR REFERENCE ONLY

Deep groove ball bearings - Single-row - Shielded/sealed type - Contact sealed



Bearing No. 6303 2RS

Specifications

(Boundary dimensions ...etc)

d(mm)	17
D(mm)	47
B(mm)	14
r(min.)(mm)	1
Basic load ratings : Cr(kN)	17.0
Basic load ratings : C0r(kN)	6.65
Fatigue load limit : Cu(kN)	0.550
factor : f0()	12.4
Limiting speeds(Grease lub.)(min-1)	10000
Limiting speeds(Oil lub.)(min-1)	

Mounting dimensions

da(min.)(mm)	22
da(max.)(mm)	24.3
Da(max.)(mm)	42
ra(max.)(mm)	1

Refer.

(Refer.)Mass(kg)	0.115
------------------	-------