



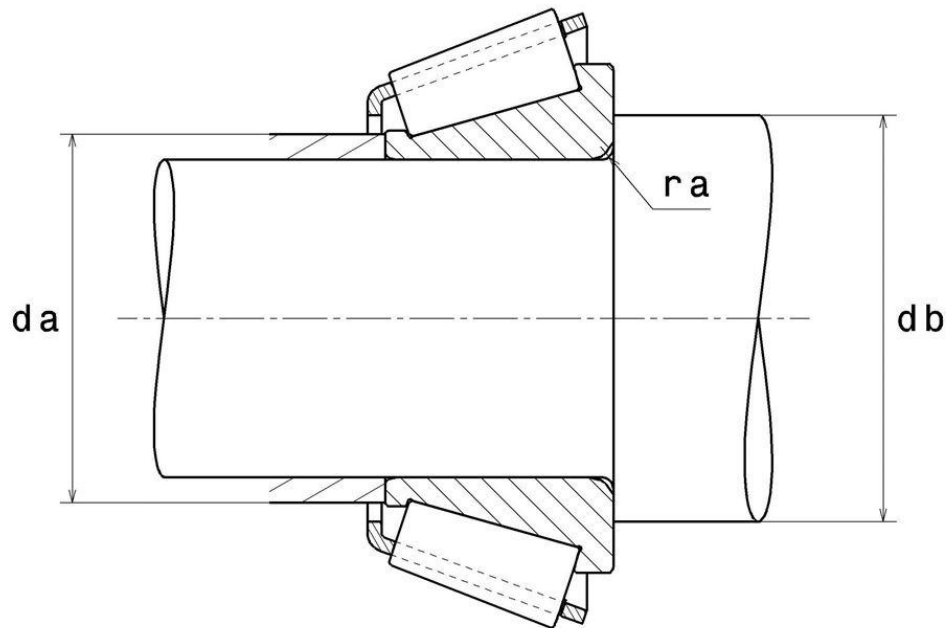
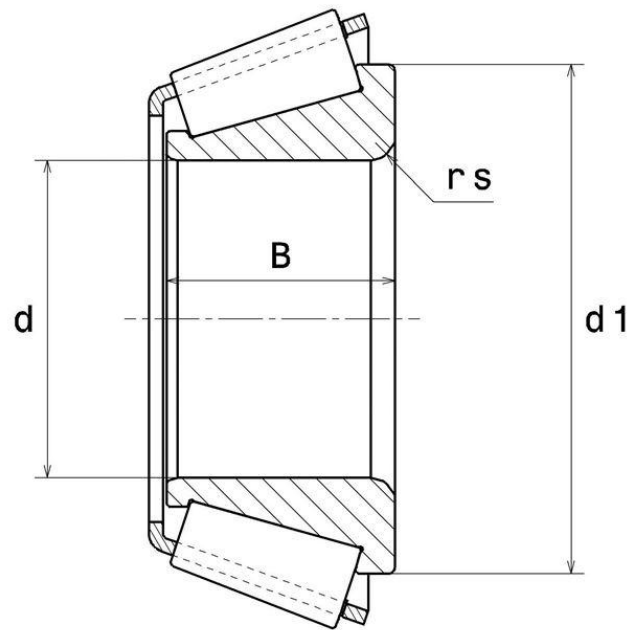
**Technical data**

4T-L68149

Single row tapered roller bearings

Mounted cone, sheet metal cage

**VISUAL (S)**



# 4T-L68149

Single row tapered roller bearings

## PRODUCT DIMENSIONS

<b>d</b>	34,988 mm
<b>Bearing/Inner ring width(B)</b>	16,764 mm
<b>d1</b>	48 mm
<b>Coef e</b>	0.42
<b>Y2</b>	1.44
<b>Y0</b>	0.79
<b>Brand</b>	NTN

## ABUTMENT

<b>da max</b>	39 mm
<b>db min</b>	45,5 mm
<b>ra max</b>	3,94 mm

## PRODUCT PERFORMANCE

<b>Dynamic load, C</b>	39 kN
<b>Rating life coefficient, A2</b>	1.0
<b>Static load, C0</b>	47,5 kN
<b>Characteristic cage frequency, FTF</b>	0.0 Hz
<b>Characteristic rolling element frequency, BSF</b>	0.0 Hz
<b>Characteristic outer ring frequency, BPF0</b>	0.0 Hz
<b>Characteristic inner ring frequency, BPGI</b>	0.0 Hz